



PRODUCTS CATALOG

ELECTRICAL ENCLOSURES & MODULAR CABINETS



20

EMI/RFI SHIELDED NEMA 4/12 ENCLOSURES

The 5412 ESE are used indoors or outdoors to protect the enclosed controls from dust, dirt, oil and water splashing. A special conductive gasket protects the contents against a certain degree of electromagnetic interference. The 5412 ESE are made of high quality 14 GA or 16 GA stainless steel, with corner seams continuously welded. The opening has a curled lip around all sides to prevent dripping water from entering

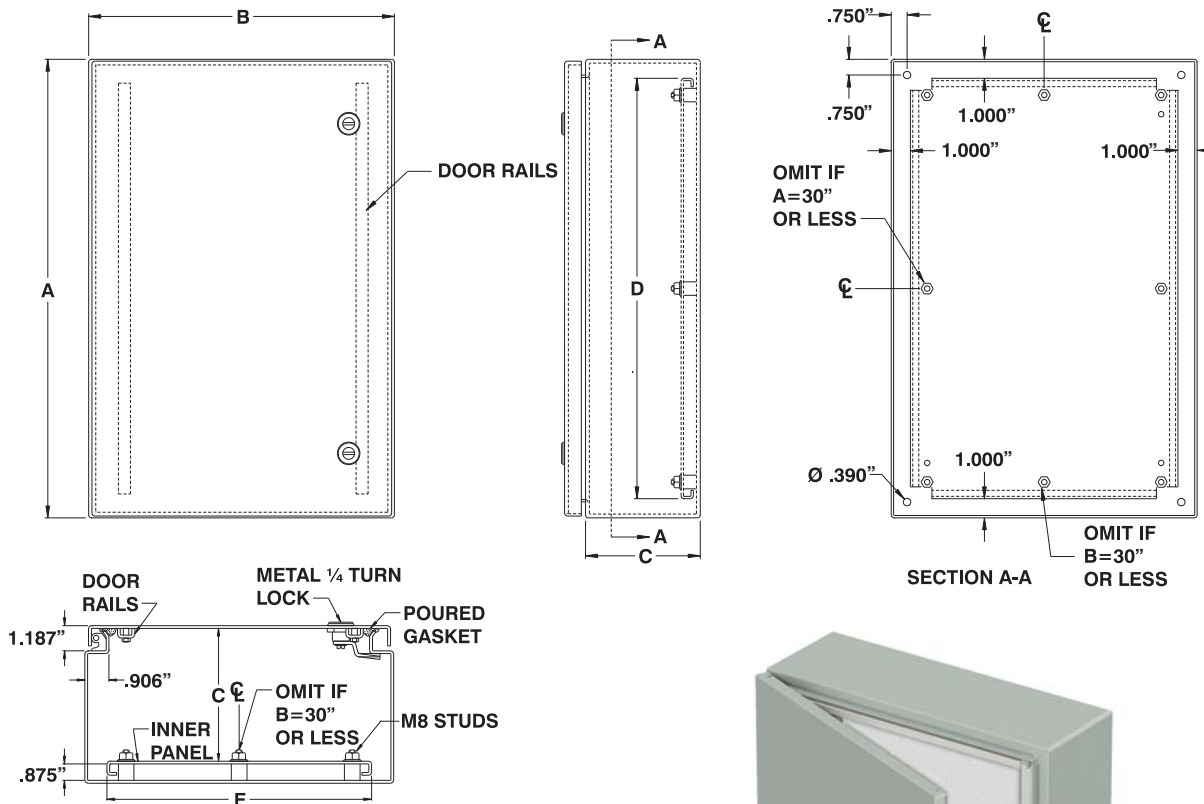
the enclosure when the door is open, it also increases rigidity. The pins of the concealed hinges can be pulled out to remove the door.

A ¼ turn locking mechanism ensures positive closing. Internal mounting holes are provided. **Each enclosure comes complete with a 12 GA galvanized inner panel**, which mounts on M8 welded studs. Enclosures are finished with heat fused powder

paint, electrostatically applied on a pretreated base. Box is ANSI/ASA 61 smooth gray. Inner panel is galvanized (other colors available).

**CSA Certified / UL Listed
NEMA/EEMAC 4-12 / IP66**

Refer to p.696 to validate choice of substrate for the application



CATALOG NUMBER	DIMENSIONS					SHIP WGT LBS.
	A	B	C	D	E	
5412 ESE121206	12	12	6	7	7	19
5412 ESE161206	16	12	6	11	7	24
5412 ESE161606	16	16	6	11	11	31
5412 ESE162006	16	20	6	11	15	37
5412 ESE201606	20	16	6	15	11	37
5412 ESE242006	24	20	6	19	15	53
5412 ESE242408	24	24	8	19	19	67
5412 ESE302408	30	24	8	25	19	81
5412 ESE363008	36	30	8	31	25	116
5412 ESE242412	24	24	12	19	19	76
5412 ESE362412	36	24	12	31	19	107

Insulated box? To have your enclosure insulated, add suffix "TH"

i.e.: 5412 ESE362412TH → Insulated steel enclosure

